

DJ661F-40P Cryogenic Emergency Shut-off Valve

低温紧急切断阀

公称压力:4.0MPa
 公称口径:15~50 mm
 适用介质:O₂、N₂、Ar、NG、CO₂等气体或液体
 适用温度:-196℃~+75℃
 连接形式:焊接
 驱动压力:0.4~0.7MPa
 试验检验:GB/T24918

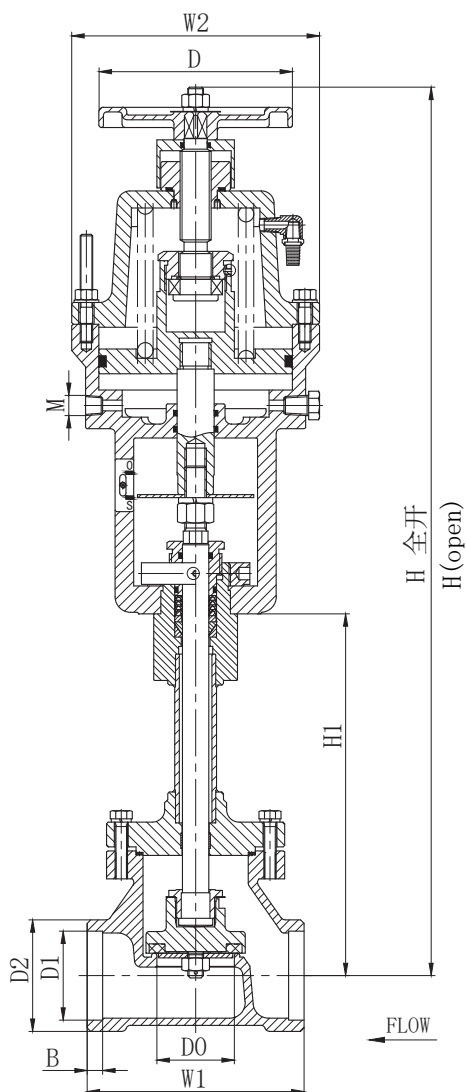
Nominal Pressure: 4.0MPa
 Nominal Diameter: 15~50 mm
 Suitable Medium: O₂、N₂、Ar、NG、CO₂ etc.
 Suitable Temp: -196℃~+75℃
 Connection Type: Welding
 Drive Pressure: 0.4~0.7MPa
 Standard: GB/T24918

主要零件材料:

阀体、阀盖、阀杆、阀瓣: 不锈钢
 密封件材质: PCTFE

Materials of Main Parts

Body、Cover、Stem、Disc : Stainless Steel
 Sealing Material: PCTFE



| 型号 TYPE | 主要外形和连接尺寸 (mm) Major Overall & Connection Dimensions | | | | | | | | | |
|------------|---|-----|------|-----|-------|-------|----|-----|------|-------|
| | H | H1 | D | D0 | D1 | D2 | B | W1 | W2 | M |
| DJQ-15B | 488 | 191 | ∅100 | ∅15 | ∅18.5 | ∅29.5 | 6 | 65 | ∅130 | Rc1/4 |
| DJQ-20B | 487 | 189 | ∅100 | ∅20 | ∅25.5 | ∅36 | 8 | 80 | ∅130 | Rc1/4 |
| DJQ-25B | 492 | 191 | ∅100 | ∅25 | ∅32.5 | ∅43.5 | 8 | 90 | ∅130 | Rc1/4 |
| DJQ-32B | 502 | 201 | ∅100 | ∅32 | ∅38.5 | ∅53 | 8 | 105 | ∅130 | Rc1/4 |
| DJQ-40B | 581 | 227 | ∅125 | ∅40 | ∅45.5 | ∅62 | 8 | 120 | ∅160 | Rc1/4 |
| DJQ-50B | 587 | 233 | ∅125 | ∅50 | ∅57.5 | ∅72 | 10 | 140 | ∅160 | Rc1/4 |