

## DJ61F-50P Short Stem Cryogenic Globe Valve

### 低温短轴截止阀

公称压力:5.0MPa  
 公称通径:65~100 mm  
 适用介质:O<sub>2</sub>、N<sub>2</sub>、Ar、NG、CO<sub>2</sub>等气体  
 适用温度:-120℃~+80℃  
 连接形式:焊接  
 试验检验:GB/T24925

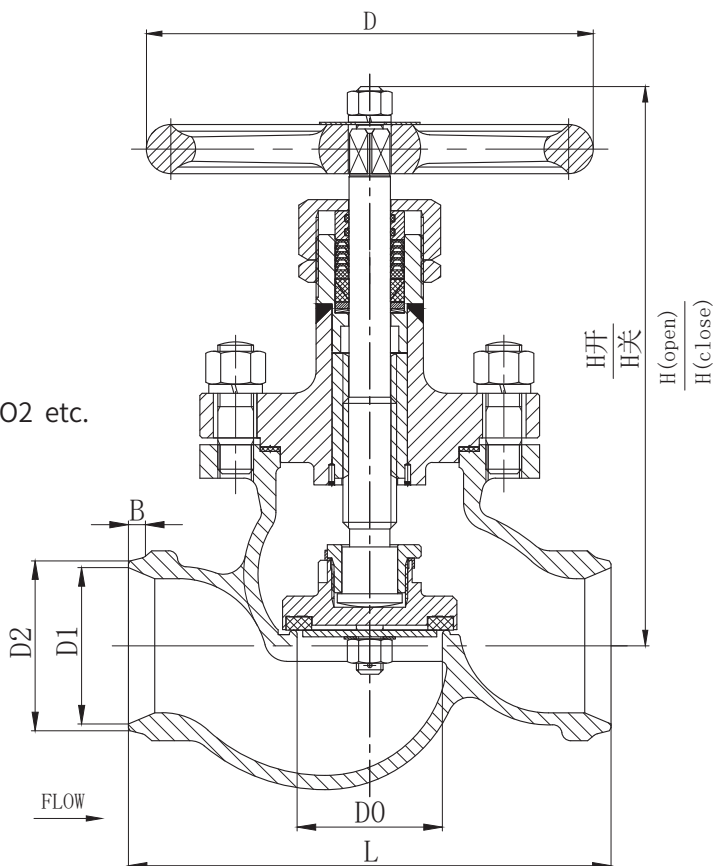
Nominal Pressure: 5.0MPa  
 Nominal Diameter: 10~50 mm  
 Suitable Medium: O<sub>2</sub>、N<sub>2</sub>、Ar、NG、CO<sub>2</sub> etc.  
 Suitable Temp.: -120℃~+80℃  
 Connection Type: Welding  
 Standard: GB/T24925

#### 主要零件材料:

阀体、阀盖、阀杆、阀瓣: 不锈钢  
 密封件材质: PCTFE

#### Materials of Main Parts

Body、Cover、Stem、Disc: Stainless Steel  
 Sealing Material: PCTFE



型号 TYPE	主要外形和连接尺寸 (mm) Major Overall & Connection Dimensions								重量 Weight (Kg)
	H开 H (open)	H关 H (close)	L	D	D0	D1	D2	B	
DJ-65GA	276	250	216	∅200	∅65	∅70	∅76	7	
DJ-80GA	317	288	241	∅250	∅80	∅81	∅89	8	
DJ-100GA	347	313	292	∅315	∅100	∅90	∅130	9	